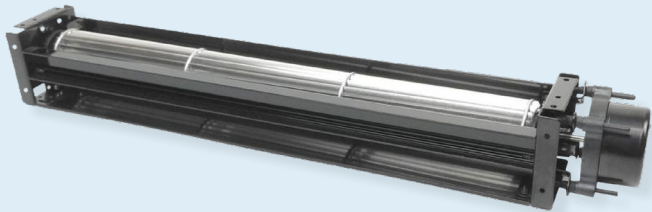
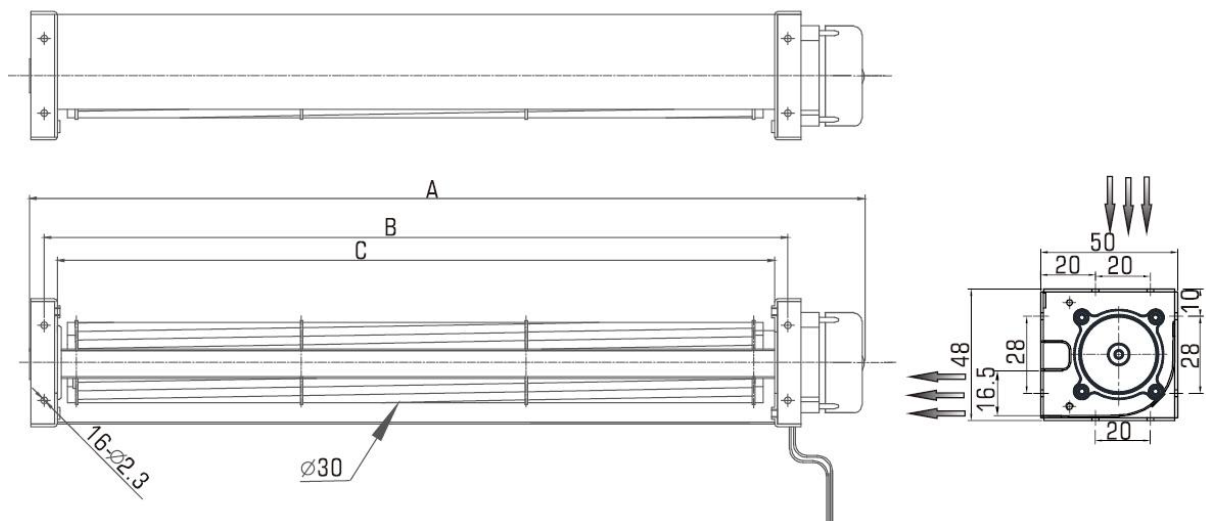


QV30 series crossflow fans 24V DC, up to 420mm in length



- 24V DC brushless motor (BLDC/EC)
- 12V DC also available
- With or without 0-10V DC speed control function
- Motor featuring 3-phase commutation for low noise
- Ball bearings used in motor and impellers
- Enhanced solution for quiet running, minimal vibration, and long life
- Options include finger guard, black coating, special lengths, electrical connector plug



*All dimensions (mm)

QV30, 24V DC, up to 420mm in length.

Model:	Dimensions (mm)			No. of impellers	Voltage	Current	Speed	Maximum Pressure	Maximum Airflow	Noise
	A	B	C	Qty	V/Hz	A	rpm	Pa	m3/h	db (A)
QV/L/30/98	152	108	98	1	24V / DC	0.05	2600	12	25	26
QV/L/30/160	214	170	160	1	24V / DC	0.07	2600	13	40	27
QV/L/30/198	252	208	198	1	24V / DC	0.08	2600	14	50	29
QV/L/30/248	302	258	248	1	24V / DC	0.09	2600	14	65	32
QV/L/30/300	354	310	300	1	24V / DC	0.12	2600	15	82	33
QV/L/30/352	406	362	352	1	24V / DC	0.14	2600	16	100	34
QV/L/30/420	474	430	420	1	24V / DC	0.15	2600	17	120	34

Other lengths, fan speeds, and special versions available on request. Minimum order quantities apply. Please contact us with your requirements.