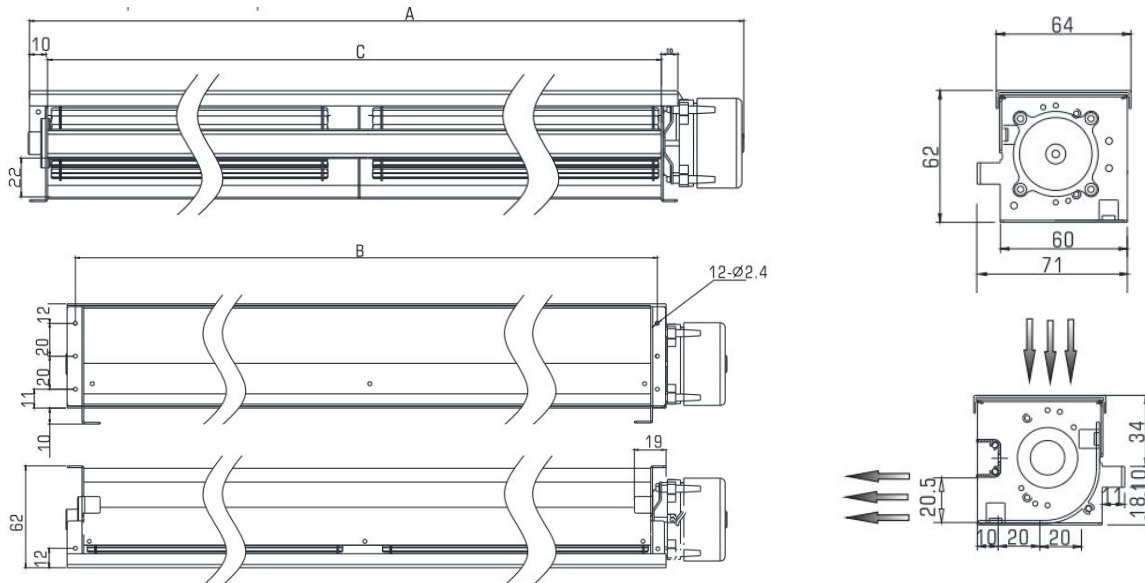




QV40 series crossflow fans 24V DC, over 420mm in length.

- 24V DC brushless motor (BLDC/EC)
- 12V DC also available
- With or without 0-10V DC speed control function
- Motor featuring 3-phase commutation for low noise
- Ball bearings used in motor and impellers
- Enhanced solution for quiet running, minimal vibration, and long life
- Options include finger guard, black coating, special lengths, electrical connector plug



*All dimensions (mm)

QV40, 24V DC, over 420mm in length.

Model:	Dimensions (mm)			No. of impellers	Voltage	Current	Speed	Maximum Pressure	Maximum Airflow	Noise
	A	B	C							
QV/L/40/530	580	540	530	2	24V / DC	0.24	2200	19	150	34
QV/L/40/610	670	620	610	2	24V / DC	0.29	2200	19	170	34
QV/L/40/700	750	710	700	2	24V / DC	0.30	2200	19	185	35
QV/L/40/800	855	810	800	2	24V / DC	0.20	2000	18	220	35
QV/L/40/854	910	864	854	3	24V / DC	0.20	2000	18	235	36
QV/L/40/920	973	930	920	3	24V / DC	0.20	2000	18	253	36
QV/L/40/1055	1108	1065	1055	3	24V / DC	0.26	2000	18	290	36

Other lengths, fan speeds, and special versions available on request. Minimum order quantities apply. Please contact us with your requirements.