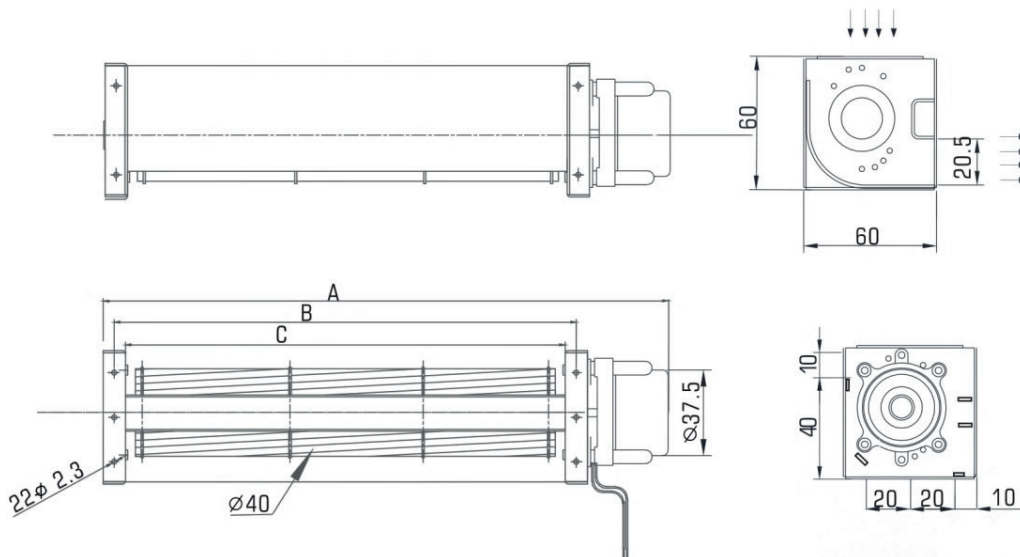


QV40 series crossflow fans 24V DC, up to 420mm in length

- 24V DC brushless motor (BLDC/EC)
- 12V DC also available
- With or without 0-10V DC speed control function
- Motor featuring 3-phase commutation for low noise
- Ball bearings used in motor and impellers
- Enhanced solution for quiet running, minimal vibration, and long life
- Options include finger guard, black coating, special lengths, electrical connector plug



*All dimensions (mm)

QV40, 24V DC, up to 420mm in length.

Model:	Dimensions (mm)			No. of impellers	Voltage	Current	Speed	Maximum Pressure	Maximum Airflow	Noise
	A	B	C							
QV/L/40/98	149	108	98	1	24V / DC	0.08	2600	15	30	30
QV/L/40/160	210	170	160	1	24V / DC	0.11	2600	20	65	33
QV/L/40/198	249	208	198	1	24V / DC	0.17	2600	25	92	34
QV/L/40/250	300	260	250	1	24V / DC	0.21	2600	27	116	35
QV/L/40/300	352	310	300	1	24V / DC	0.25	2600	29	138	36
QV/L/40/348	417	358	348	1	24V / DC	0.26	2600	32	162	37
QV/L/40/420	472	430	420	1	24V / DC	0.31	2600	34	195	38

Other lengths, fan speeds, and special versions available on request. Minimum order quantities apply. Please contact us with your requirements.